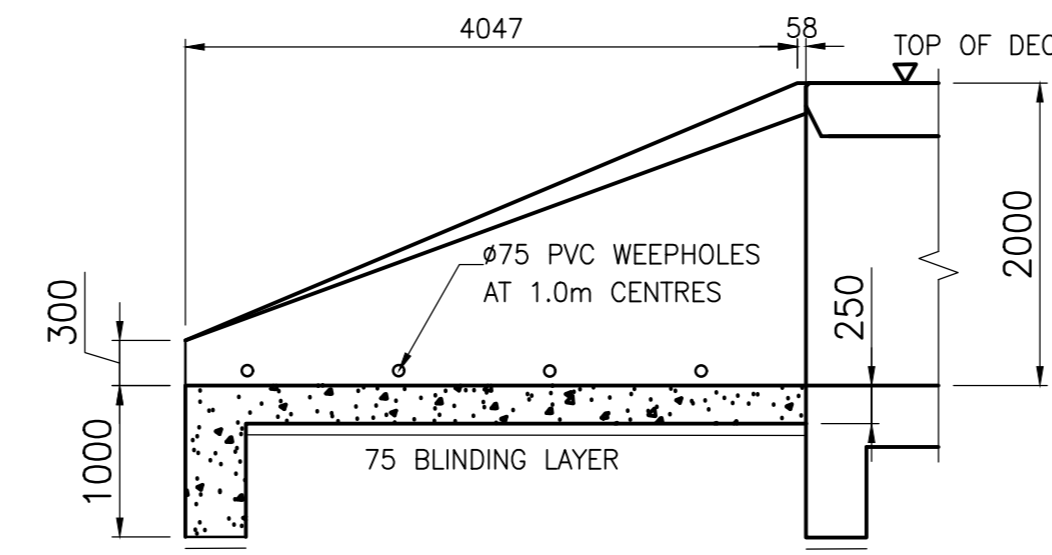
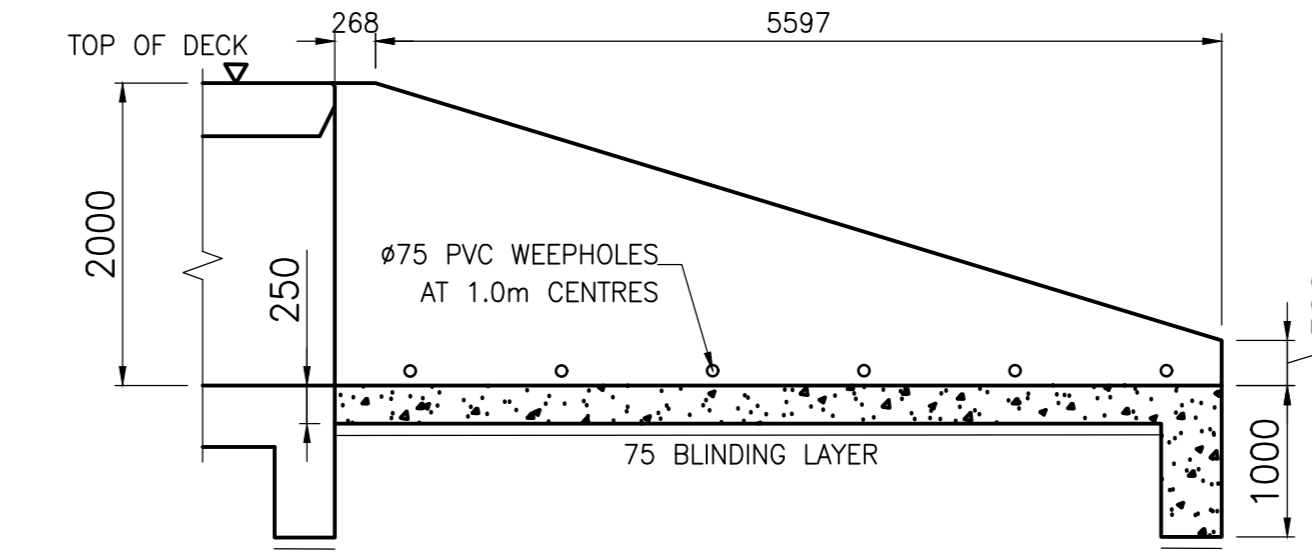


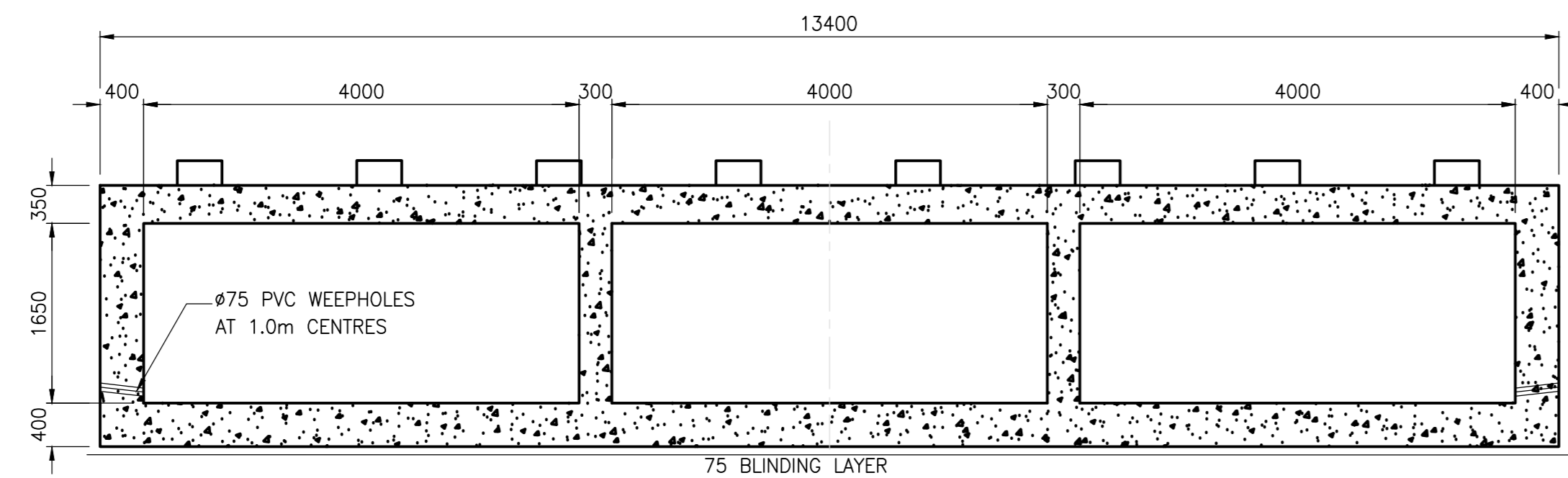
SECTION B-B
SCALE 1:50



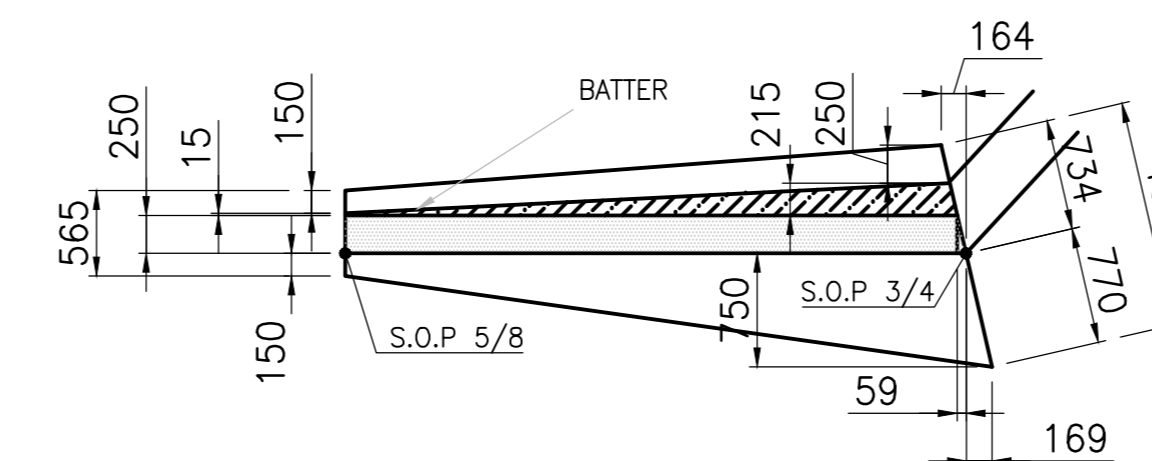
ELEVATION - WINGWALLS 2 AND 3
SCALE 1:50



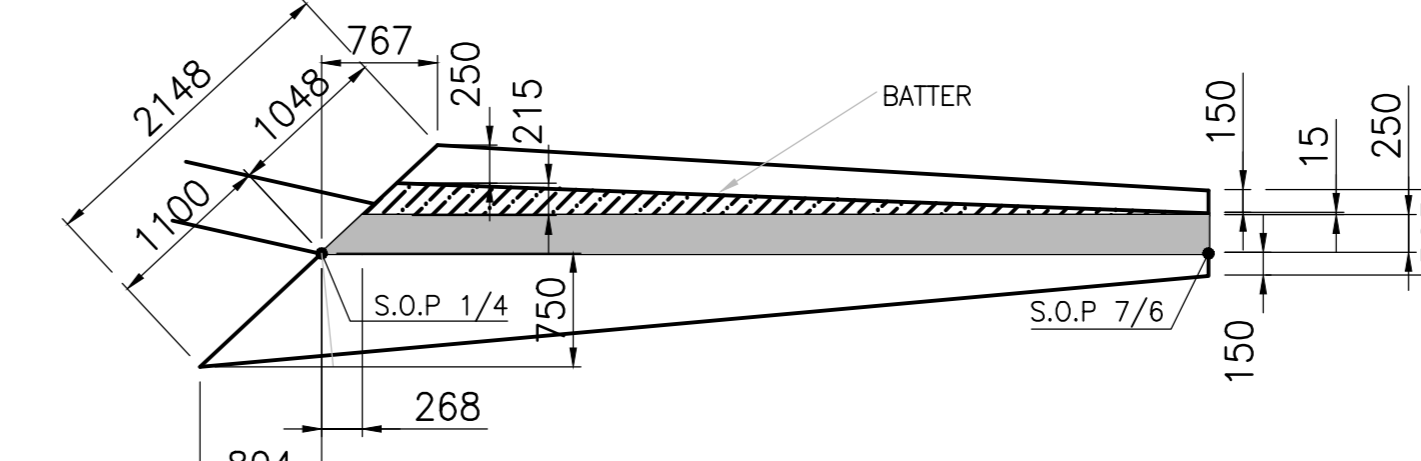
ELEVATION - WINGWALLS 1 AND 4
SCALE 1:50



SECTION A - A
SCALE 1:50



PLAN - WINGWALLS 2 AND 3
SCALE 1:50



PLAN - WINGWALLS 1 AND 4
SCALE 1:50

CO-ORDINATES WGS84		
POINT	Y	X
A	-29 677.957	+3 763 797.832
B	-29 670.056	+3 753 796.014
C	-29 662.143	+3 753 794.151

NOTES

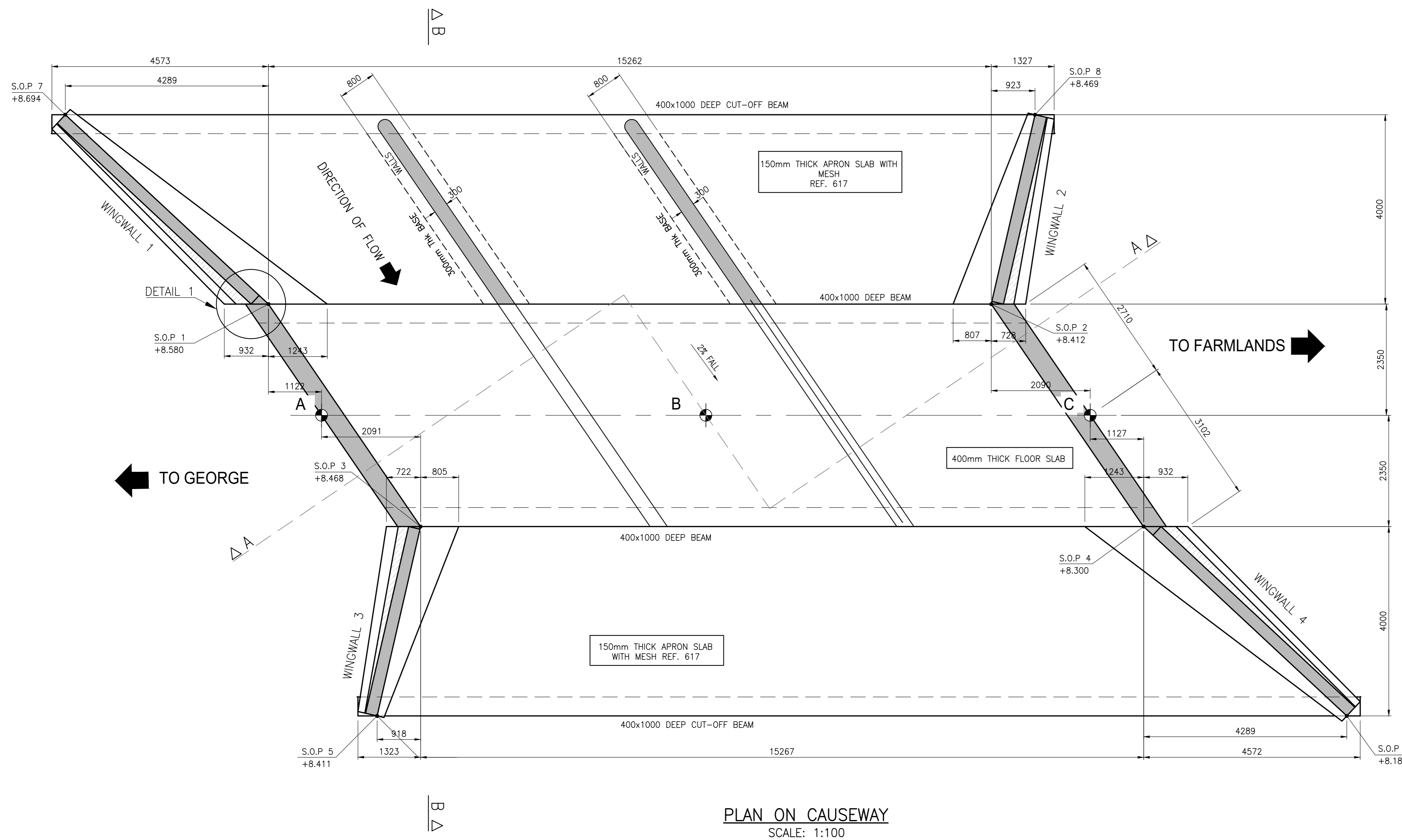
- ALL VISIBLE CORNERS TO HAVE 20x20mm CHAMFERS
- CONCRETE FINISHES

DESCRIPTION	FINISH
NON VISIBLE SURFACES	F1, U1
VISIBLE SURFACES	F2, U2

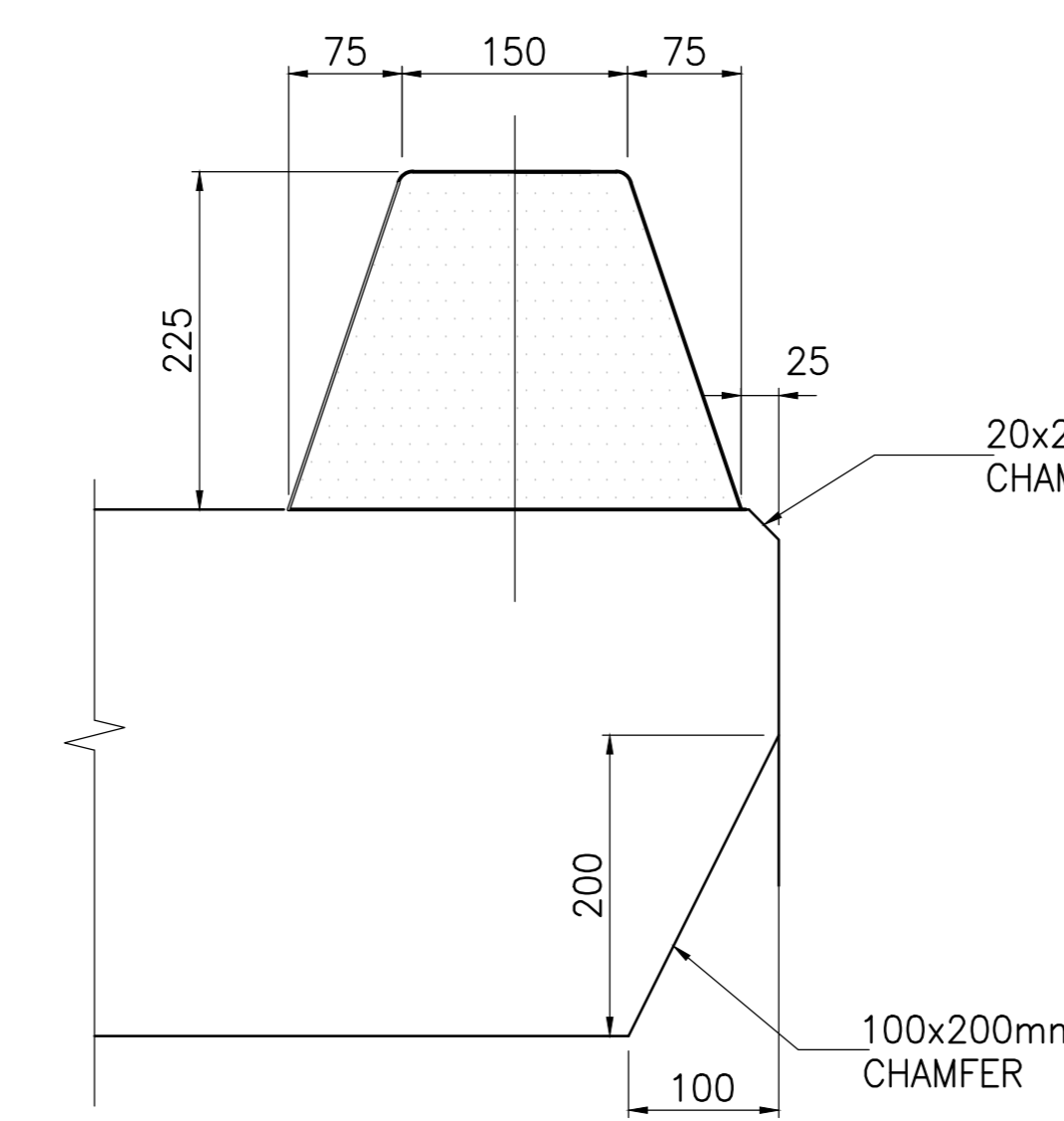
- CONCRETE STRENGTHS

ELEMENT	CHARACTERISTIC STRENGTH (MPa)	CONCRETE CLASS
BLINDING	15	15MPa/20mm
MASS CONCRETE	15	15MPa/20mm
REINF. CONCRETE	30	30MPa/20mm
GABION TOPPING	30	30MPa/20mm
GROUTED PLUMS	30	30MPa/20mm

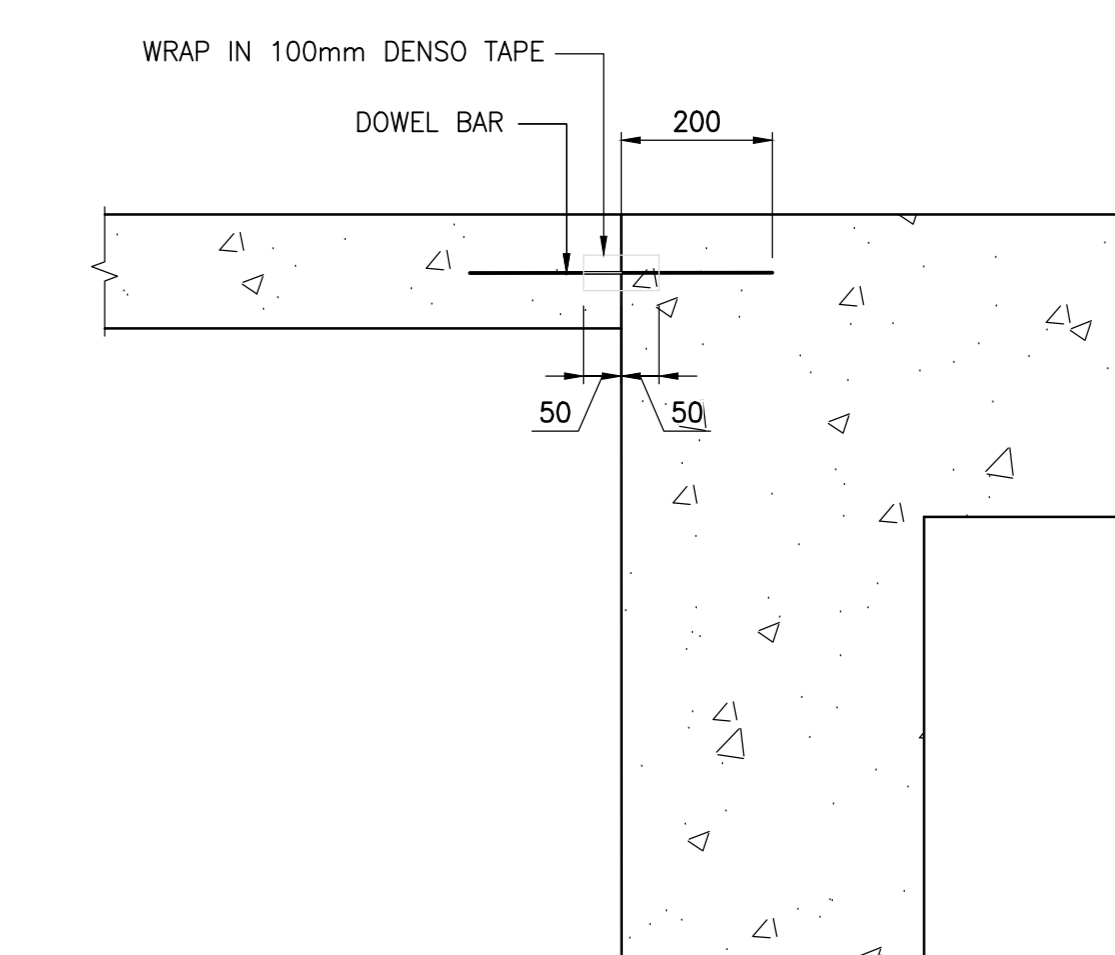
- PROVIDE 75mm BLINDING LAYER UNDER ALL POURED ON THE GROUND
- UNFILLED JOINTS (BUTT JOINTS) TO BE PAINTED WITH A BOND BREAKER BEFORE CASTING ADJACENT POUR



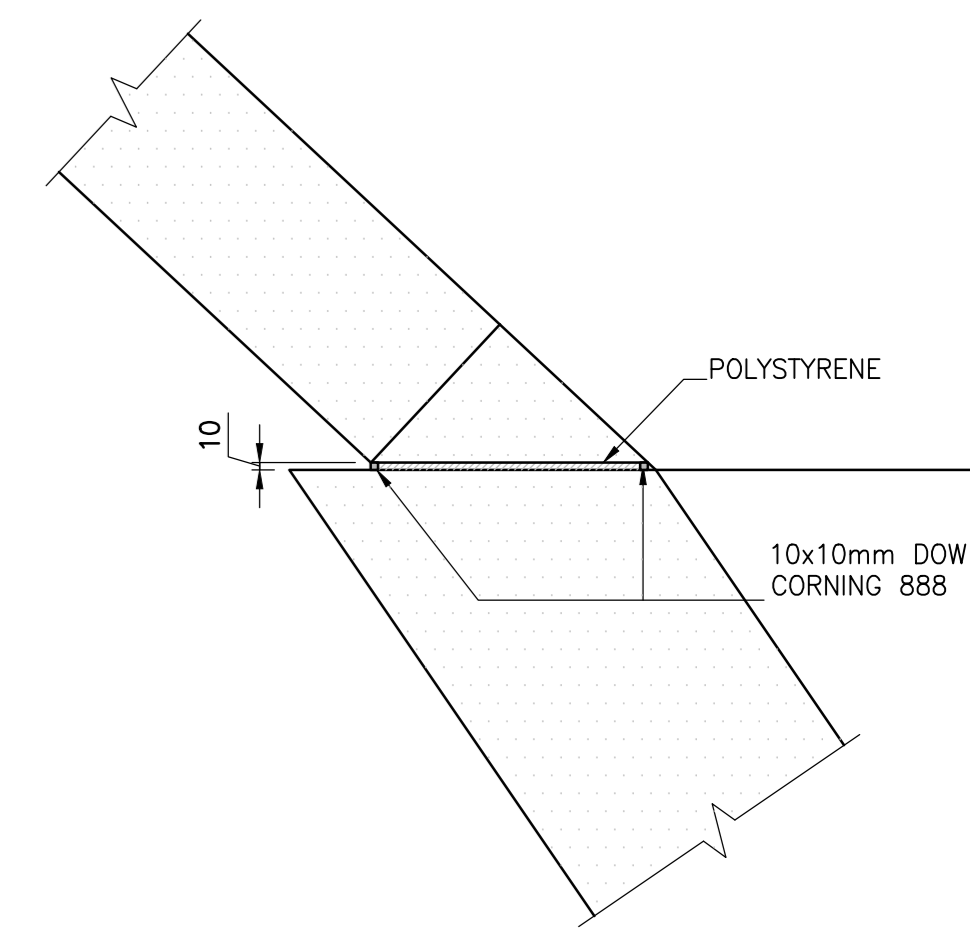
PLAN ON CAUSEWAY
SCALE: 1:100



GUIDE BLOCK
SCALE 1:5



TYPICAL DOWEL DETAIL
SCALE 1:10



DETAIL 1
SCALE 1:10

NO.	DATE	ADDITIONS, AMENDMENTS AND REVISIONS	PROVINCIAL CHIEF ENG.	CONSULT. ENG.	DESIGNED BY:	DETAILED BY:	HATCH		CONSULTANT'S APPROVAL		Western Cape Government		ACCEPTANCE		P.R.E.'s FILE NO.		SCALE	AS SHOWN	ORIGINAL SHEET SIZE
VB	04/2025	FOR TENDER	M.PETERSEN	D.MALAN	A. HEARNE	B. MEYER			 SIGN: _____ NAME: DAVIE MALAN ECISA P. NO.: 940057 DATE: APRIL 2025		 FOR YOU Infrastructure		THIS APPROVAL IS FOR PROCEDURAL AND ADMINISTRATIVE REVIEW PURPOSES ONLY AND DOES NOT ATTRACT LEGAL LIABILITY OF ANY KIND FROM WHATSOEVER OR HOWEVER ARISING PROVINCIAL ROADS ENGINEER DATE: _____		CAUSEWAY No 12515 on DR1791 at Km 1.59 over BITOU RIVER NEAR STOPPAD		DO16/6/4/14/C1157.02 CONTRACT NO. C1157.02 CONSULTANTS DWG NO. H381596-00000-231-272-1791-0001	WCG STRUCTURE PLAN C12515/03 WCG INDEX NO. A99/133	VER VB